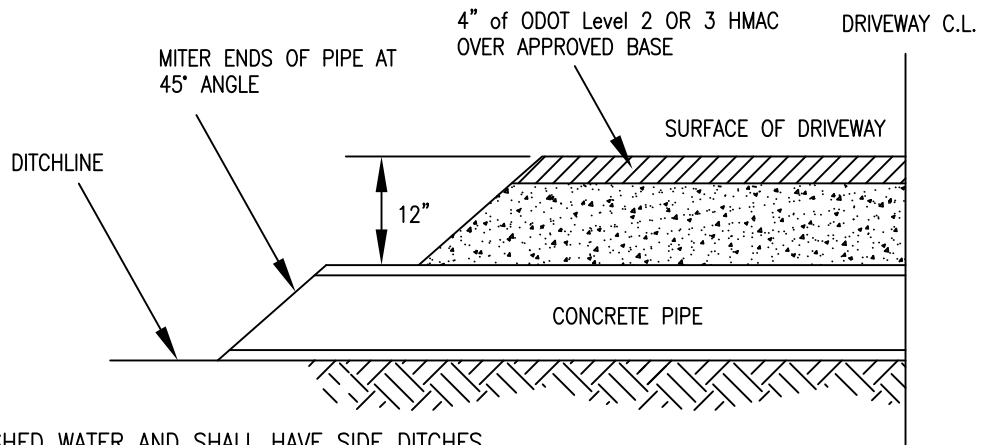
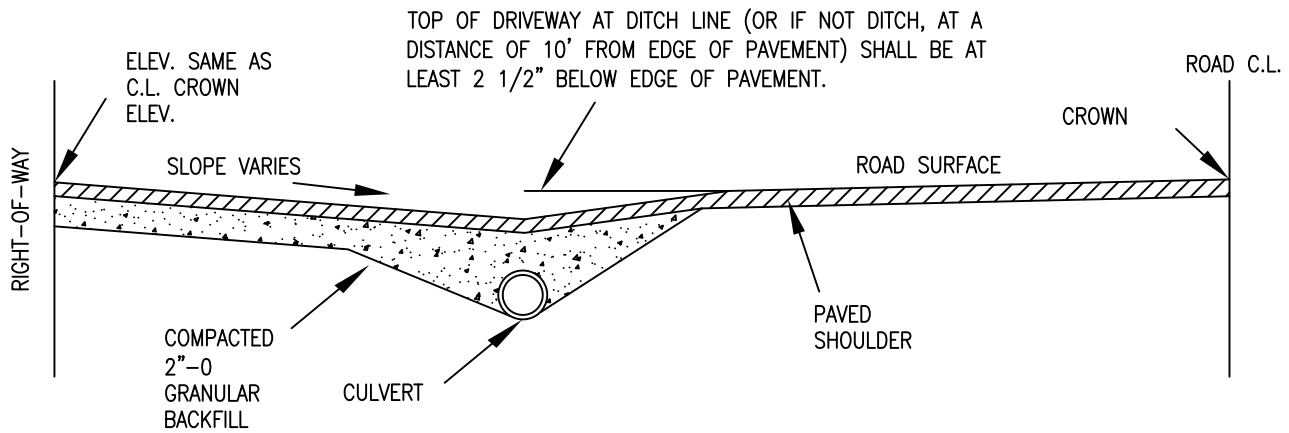
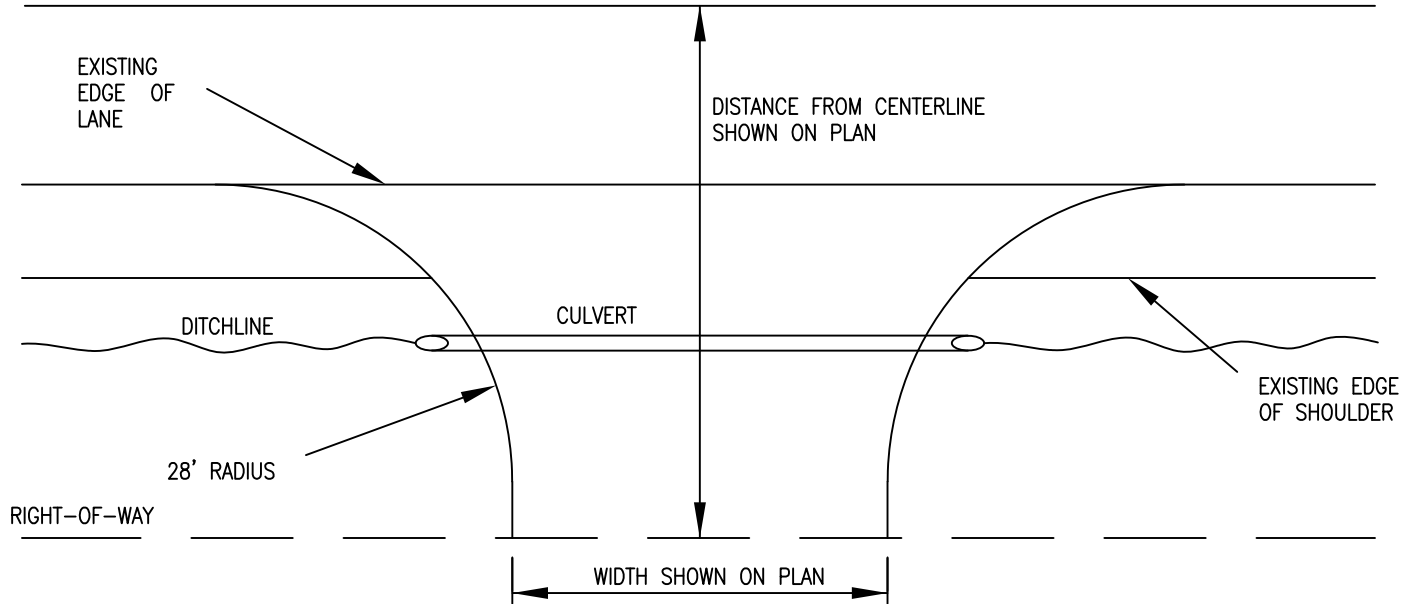


ROAD C.L.



NOTES:

1. DRIVEWAYS SHALL BE CROWNED TO SHED WATER AND SHALL HAVE SIDE DITCHES.
2. AC DRIVEWAYS SHALL CONSIST 4" OF ODOT Level 2 OR 3 HMAC ON APPROVED BASE.
3. PIPE TO BE LAID AT EXISTING GRADE OF DITCH.
4. CULVERT PIPE SIZE TO BE DETERMINED (12" MINIMUM).
5. PIPE OTHER THAN CONCRETE AS APPROVED.
6. DRIVEWAYS SHALL NOT BE WIDER THAN NECESSARY TO SAFELY ACCOMMODATE PROJECTED PEAK HOUR TRIPS AND TURNING MOVEMENTS AND SHALL BE DESIGNED TO MINIMIZE PEDESTRIAN CROSSING DISTANCES.

Driveway For Non-Curbed Street

CITY OF
WILSONVILLE



DRAWING NUMBER: RD-1085

DRAWN BY: SR

SCALE: N.T.S.

FILE NAME: RD-1085.DWG

APPROVED BY: NK

DATE: 4/2/14

PUBLIC WORKS STANDARDS