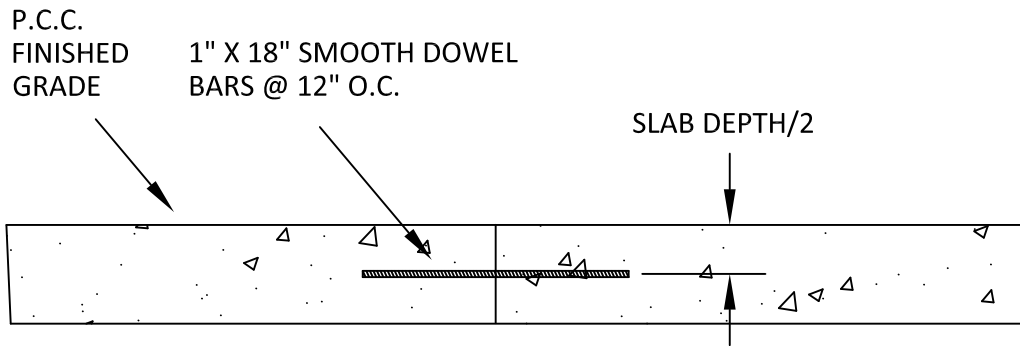
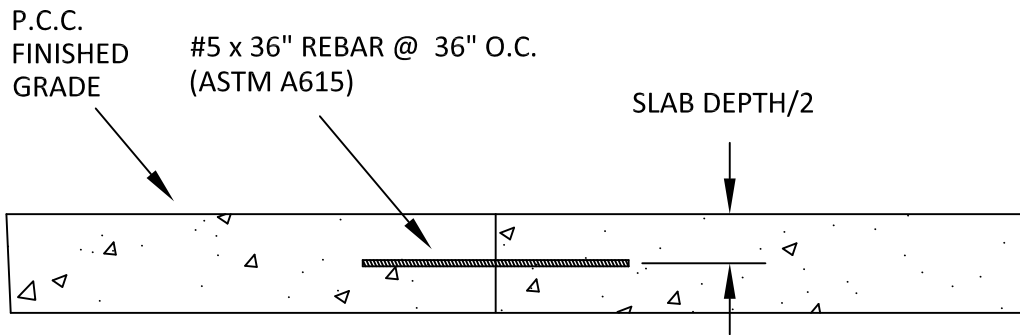


SAW CUT DETAIL



TRANSVERSE CONSTRUCTION JOINT DETAIL



LONGITUDINAL CONSTRUCTION JOINT DETAIL

NOTES:

1. ALL REBAR SHALL COMPLY WITH ASTM A615.
2. ALL REBAR SHALL BE FIRMLY SET INTO EXISTING CONCRETE USING EPOXY.
3. EPOXY SHALL BE CURED ACCORDING TO MANUFACTURER'S RECOMMENDATIONS PRIOR TO PLACEMENT OF NEW CONCRETE.
4. DRILLED DOWEL HOLES SHALL BE CLEANED AND FILLED WITH AN APPROVED QUICK-SET EPOXY GROUT SUITABLE FOR ANCHORING SMOOTH DOWEL BARS IN HARDENED CONCRETE. DOWELS SHALL BE FULLY GREASED AND INSERTED WITH GROUT RETENTION RING INTO HOLE.
5. ALL EXPOSED SMOOTH DOWEL ENDS SHALL BE FULLY GREASED PRIOR TO POURING CONCRETE SLAB.

Concrete Pavement Saw Cutting and Doweling

CITY OF
WILSONVILLE



DRAWING NUMBER: RD-1180

DRAWN BY: SR

SCALE: N.T.S.

FILE NAME: RD-1180.DWG

APPROVED BY: NK

DATE: 4/2/14

PUBLIC WORKS STANDARDS