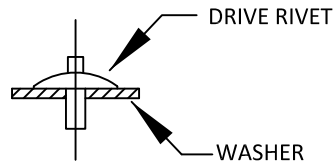
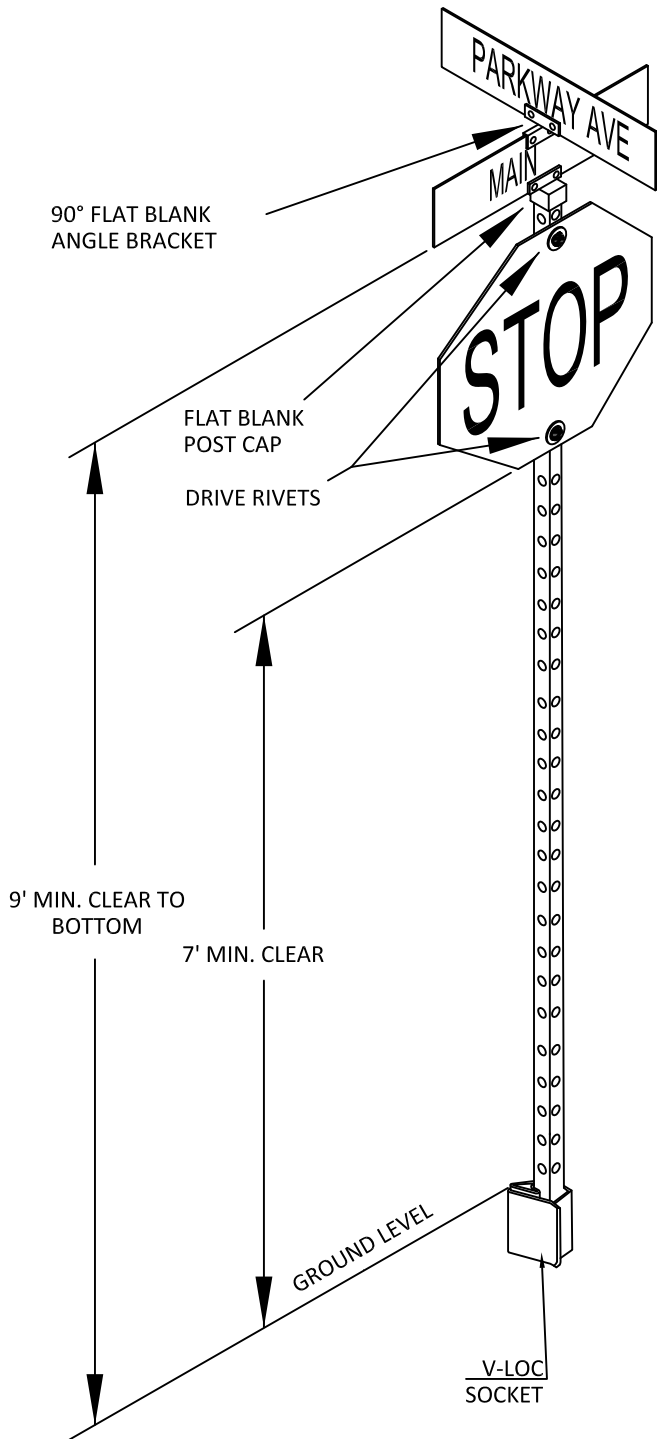
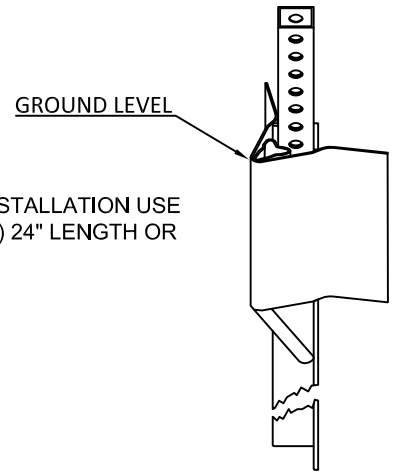


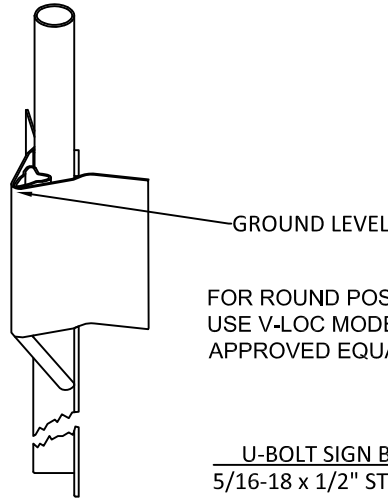
This Detail Drawing may not be altered or changed in any manner except by the City Engineer. It is the responsibility of the user to acquire the most current version.



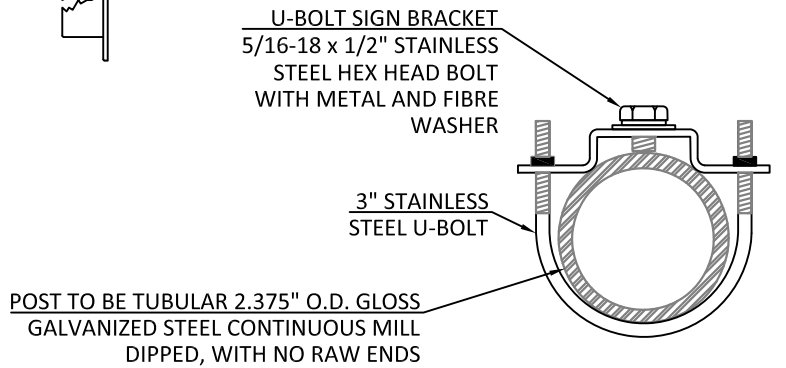
SIGN DRIVE RIVET DETAIL FOR MOUNTING SIGN



FOR EARTH OR ASPHALT INSTALLATION USE V-LOC MODEL 200 (SQUARE) 24" LENGTH OR APPROVED EQUAL



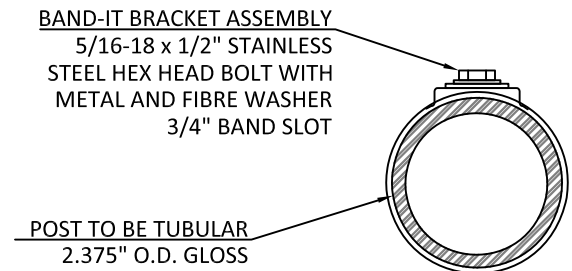
FOR ROUND POST EARTH OR ASPHALT INSTALLATION USE V-LOC MODEL 23 (ROUND) 24" LENGTH OR APPROVED EQUAL



U-BOLT SIGN BRACKET
5/16-18 x 1/2" STAINLESS
STEEL HEX HEAD BOLT
WITH METAL AND FIBRE
WASHER

3" STAINLESS
STEEL U-BOLT

POST TO BE TUBULAR 2.375" O.D. GLOSS
GALVANIZED STEEL CONTINUOUS MILL
DIPPED, WITH NO RAW ENDS



BAND-IT BRACKET ASSEMBLY
5/16-18 x 1/2" STAINLESS
STEEL HEX HEAD BOLT WITH
METAL AND FIBRE WASHER
3/4" BAND SLOT

POST TO BE TUBULAR
2.375" O.D. GLOSS
GALVANIZED STEEL
CONTINUOUS MILL
DIPPED, WITH NO RAW
ENDS

NOTES:

1. SURFACE MOUNT SIGN POSTS TO BE REVIEWED AND APPROVED BY CITY AUTHORIZED REPRESENTATIVE
2. ALL SIGN HARDWARE TO BE STAINLESS STEEL
3. V-LOCK WEDGE TO FACE DIRECTION OF TRAVEL

Street Sign Assembly

DRAWING NUMBER: RD-1250

DRAWN BY: SR

SCALE: N.T.S.

FILE NAME: RD-1250.DWG

APPROVED BY: PN

DATE: 4/11/19

CITY OF
WILSONVILLE



PUBLIC WORKS STANDARDS