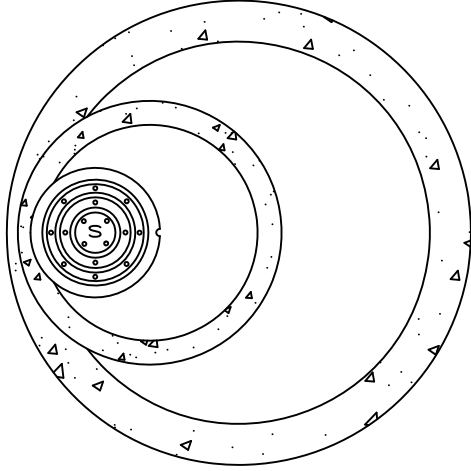
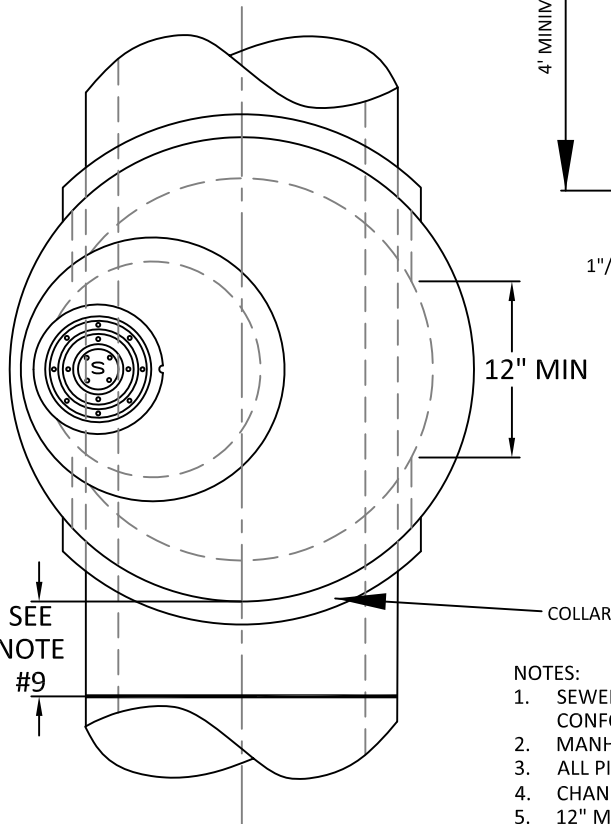


This Detail Drawing may not be altered or changed in any manner except by the City Engineer. It is the responsibility of the user to acquire the most current version.

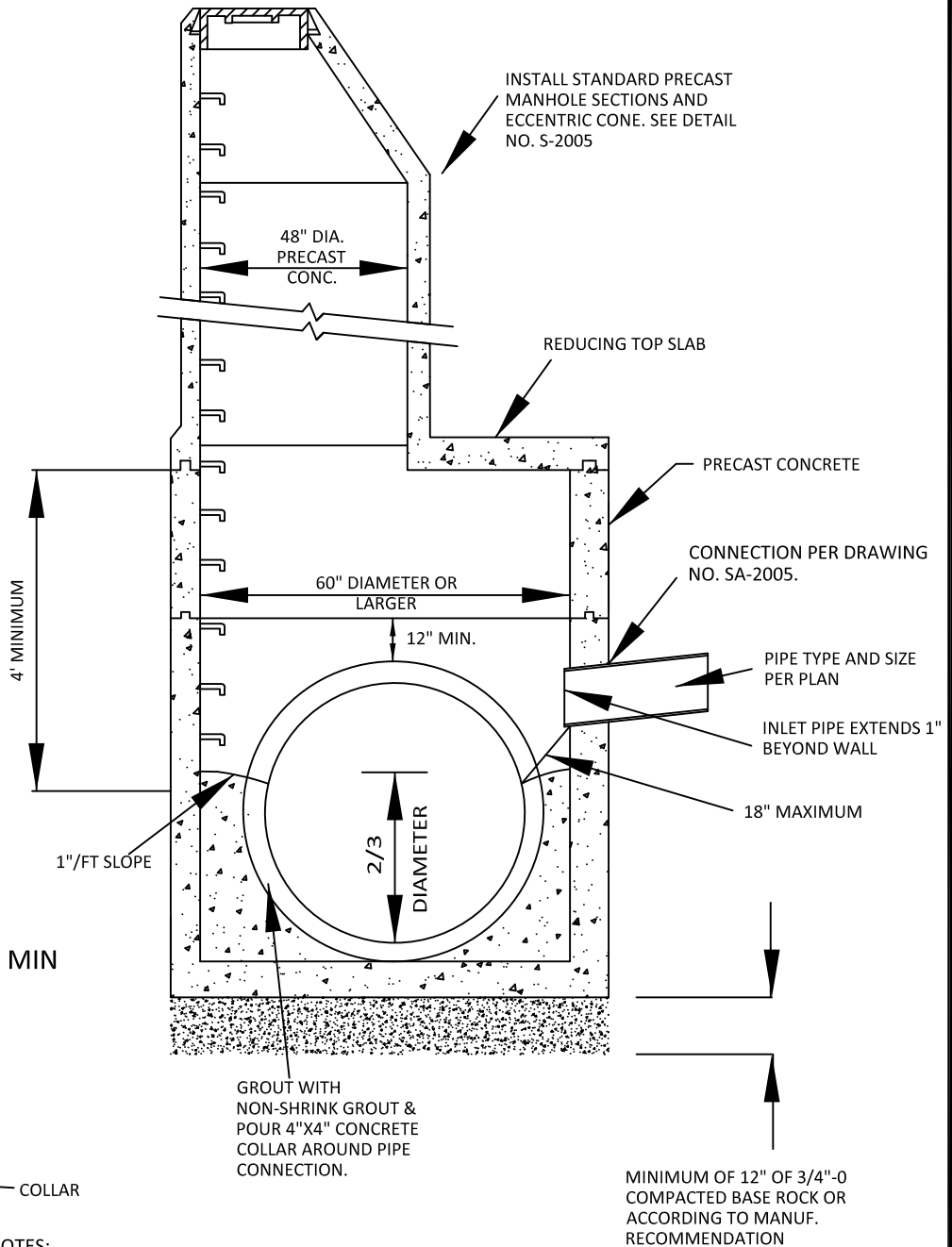
DIMENSIONS AND REINFORCING DETAILS  
ACCORDING TO MANUFACTURER'S SPECIFICATIONS  
TO BE APPROVED BY CITY



REDUCING TOP SLAB



SEE  
NOTE  
#9



- NOTES:
- SEWER MANHOLE TO BE PREFORMED RUBBER O-RING GASKET DESIGN ONLY. ALL MANHOLES SHALL CONFORM WITH ASTM C-478.
  - MANHOLE FRAME AND COVER AS PER DETAIL DRAWING S-2055.
  - ALL PIPES ENTERING OR EXITING SHALL BE WATER TIGHT.
  - CHANNELS SHALL BE 2/3 VERTICAL HEIGHT OF PIPE WITH A SMOOTH FINISH.
  - 12" MINIMUM DISTANCE BETWEEN PIPE ACCESS HOLES INTO MANHOLE. DISTANCE MEASURED AT INSIDE OF MANHOLE OR PER MANUFACTURER RECOMMENDATIONS WHICHEVER IS GREATER.
  - SEE MANHOLE STEP DETAIL DRAWING S-2080.
  - USE A 60" DIA. MANHOLE FOR 27" - 36" DIA. PIPE.
  - USE A 72" MANHOLE FOR 42" OR LARGER DIA. PIPE.
  - SHEAR JOINT SHALL BE 1/2 PIPE DIAMETER BUT NO GREATER THAN 3 FEET FROM OUTSIDE OF MANHOLE.
  - ALL SEWER MANHOLE JOINTS SHALL BE INSTALLED WITH PREFORMED RUBBER O-RING GASKETS CONFORMING WITH AASHTO M 315 AND ASTM C-443. ALL OTHER MANHOLES MAY USE PREFORMED FLEXIBLE JOINT SEALANT, KENT SEAL NO 2 OR PREFORMED PLASTIC GASKETS, RAM NEK, OR APPROVED EQUAL CONFORMING TO AASHTO M 198 AND ASTM C 990.
  - MIN. 0.20' FALL BETWEEN INLETS AND OUTLET. CROWN OF ALL INCOMING PIPES SHALL BE AT LEAST AS HIGH AS THE CROWN OF THE OUTGOING PIPE.
  - PIPE ACCESS INTO MANHOLES SHALL BE PRE-FORMED OR CORE DRILLED. HOLE SIZE TO EQUAL PIPE O.D. PLUS MANHOLE WALL THICKNESS. NO SAWING OR BREAKING OF MANHOLE SECTION IS ALLOWED.

Large Diameter Pipe Manhole

DRAWING NUMBER: S-2035

DRAWN BY: SR

SCALE: N.T.S.

FILE NAME: S-2035.DWG

APPROVED BY: NK

DATE: 6/4/14

CITY OF  
WILSONVILLE



PUBLIC WORKS STANDARDS