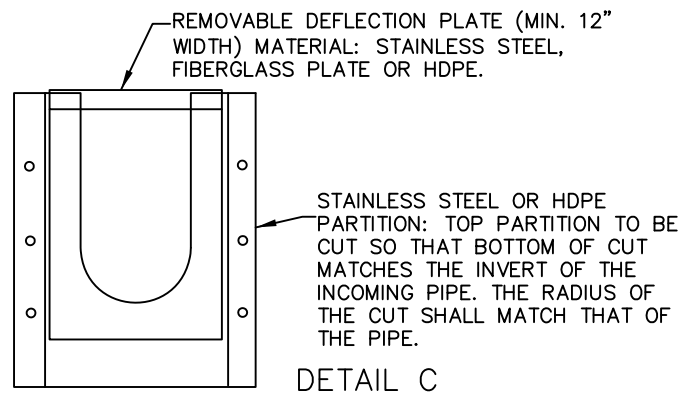
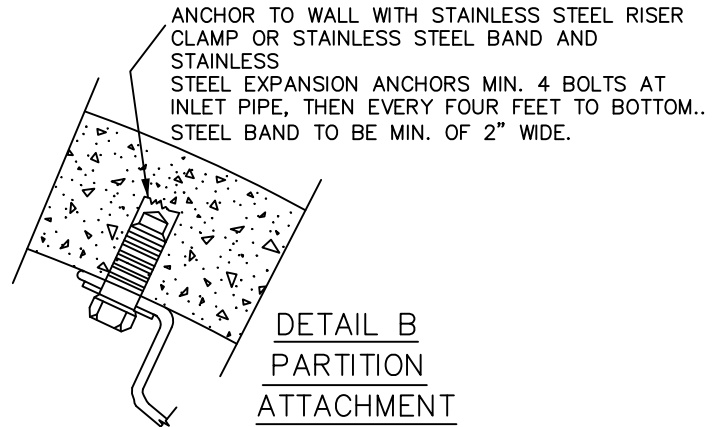
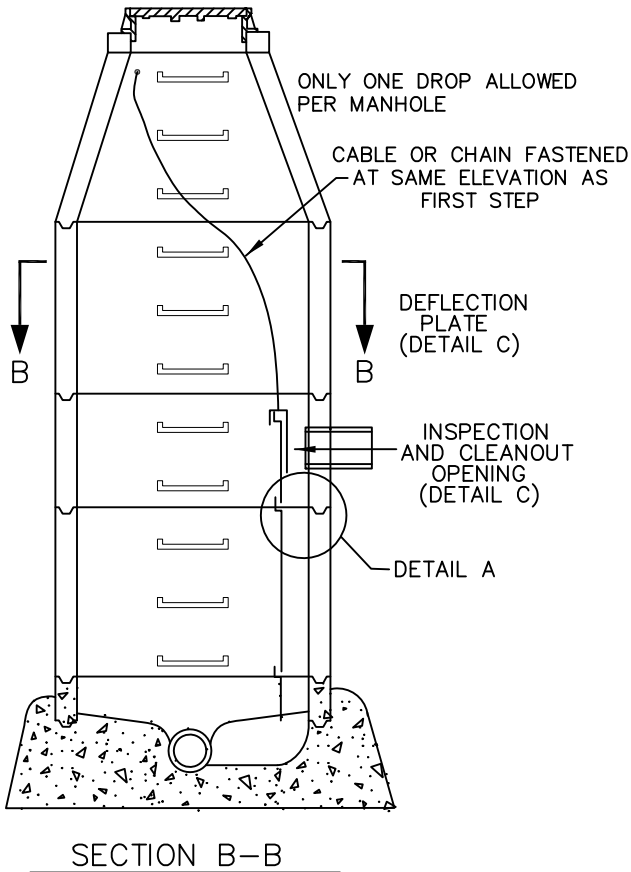
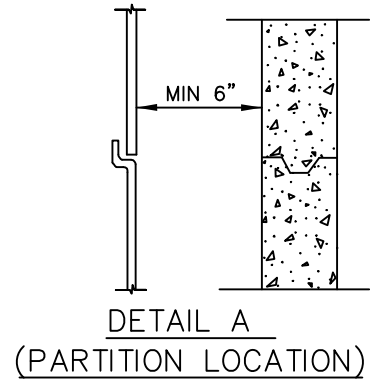
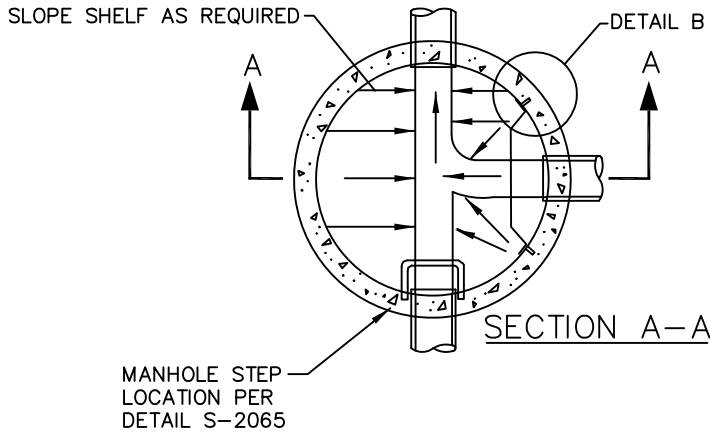


This Detail Drawing may not be altered or changed in any manner except by the City Engineer. It is the responsibility of the user to acquire the most current version.



NOTES:
1. MANHOLE TO CONFORM WITH DETAIL S-2005.

Inside Drop - Storm

CITY OF
WILSONVILLE

DRAWING NUMBER: S-2045

DRAWN BY: SR

SCALE: N.T.S.

FILE NAME: S-2045.DWG

APPROVED BY: NK

DATE: 6/4/14

PUBLIC WORKS STANDARDS

