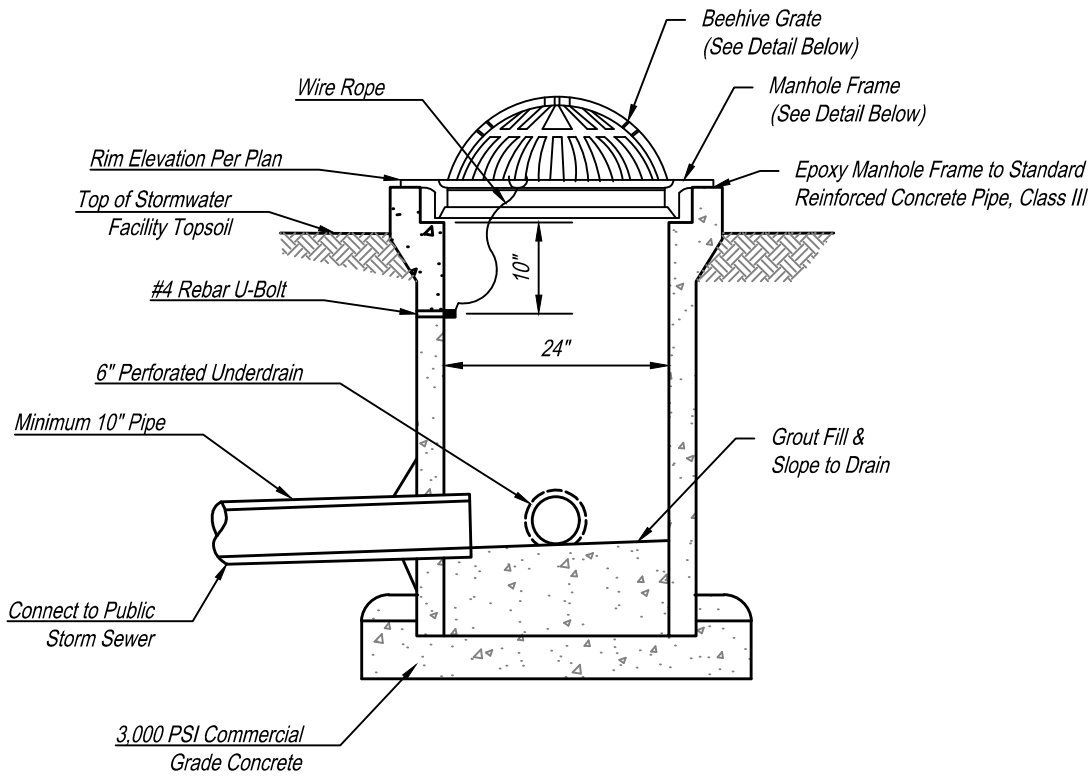
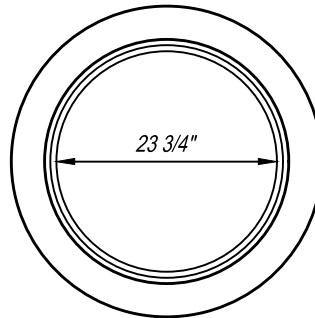
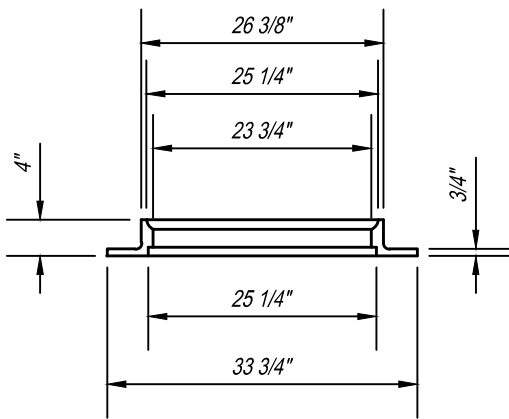


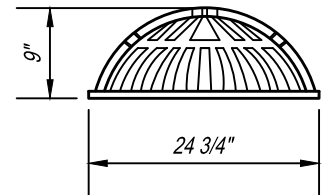
This Detail Drawing may not be altered or changed in any manner except by the City Engineer. It is the responsibility of the user to acquire the most current version.



24" X 4" Reversible Manhole Frame




Beehive Grate



Notes:

1. Secure Grate in Place with 54" of Wire Rope. Loop Ends of Wire Rope around U-Bolt and Grate. Crimp Each End of Wire Rope With 3" Overlap.
2. Drill 2" Deep Holes Into Pipe and Epoxy #4 Rebar U-Bolt (2" X 4") in Holes.
3. Grate to be Cast Iron, ASTM A48 CL30.
4. Set Grate a Minimum of 3" Below Lowest Curb or Inlet Elevation.

Bee Hive Inlet and Grate			CITY OF WILSONVILLE  PUBLIC WORKS STANDARDS
DRAWING NUMBER: S-2112	DRAWN BY: SR	SCALE: N.T.S.	
FILE NAME: S-2112.dwg	APPROVED BY: NK	DATE: 06/08/2017	