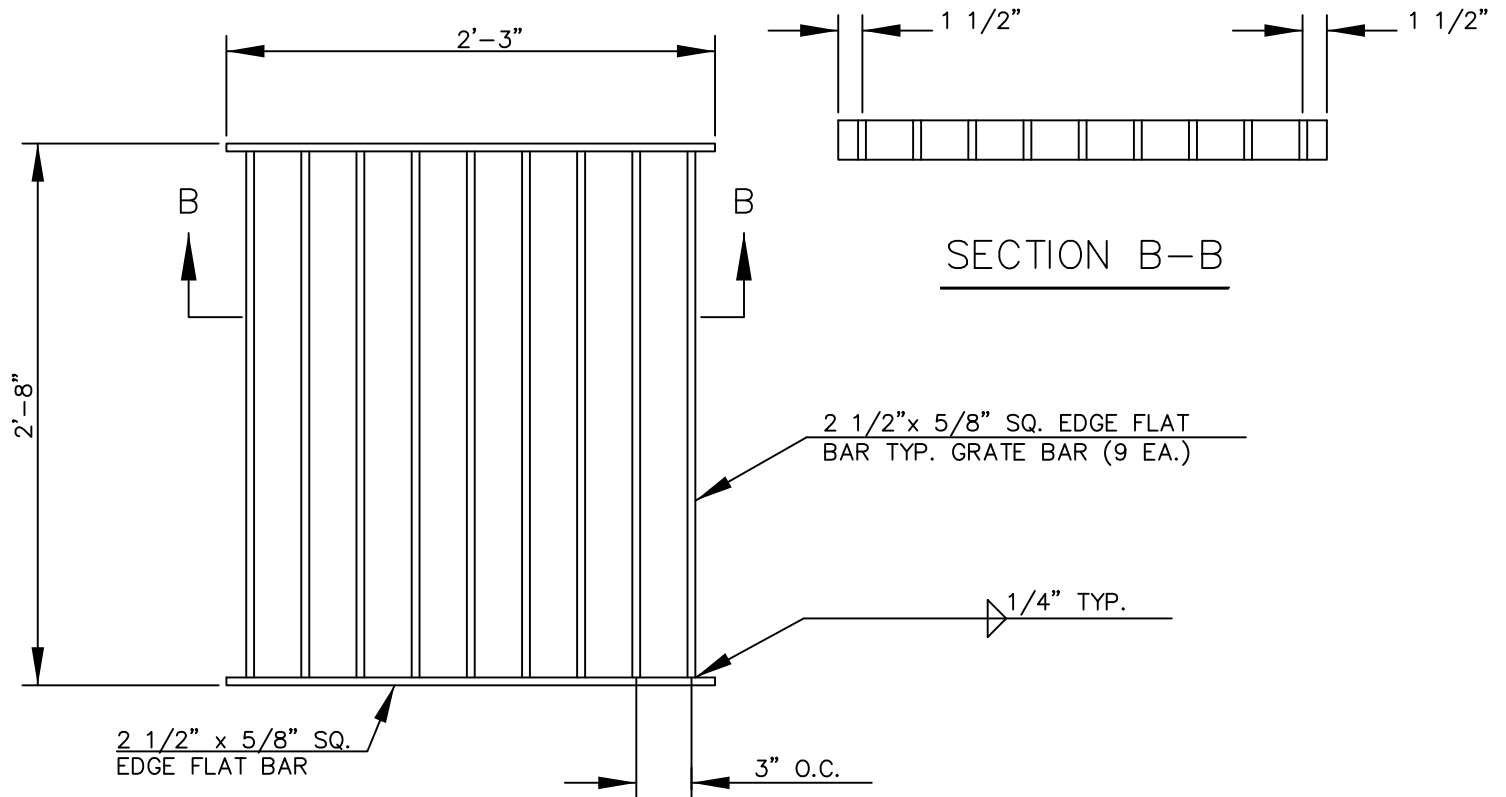


PLAN



PLAN

NOTE:
FRAME AND GRATE TO BE FLAT BAR STEEL OR APPROVED EQUAL.

Ditch Inlet Frame and Cover (Type D)

DRAWING NUMBER: S-2125

DRAWN BY: SR

SCALE: N.T.S.

FILE NAME: S-2125.DWG

APPROVED BY: NK

DATE: 6/4/14

CITY OF
WILSONVILLE



PUBLIC WORKS STANDARDS