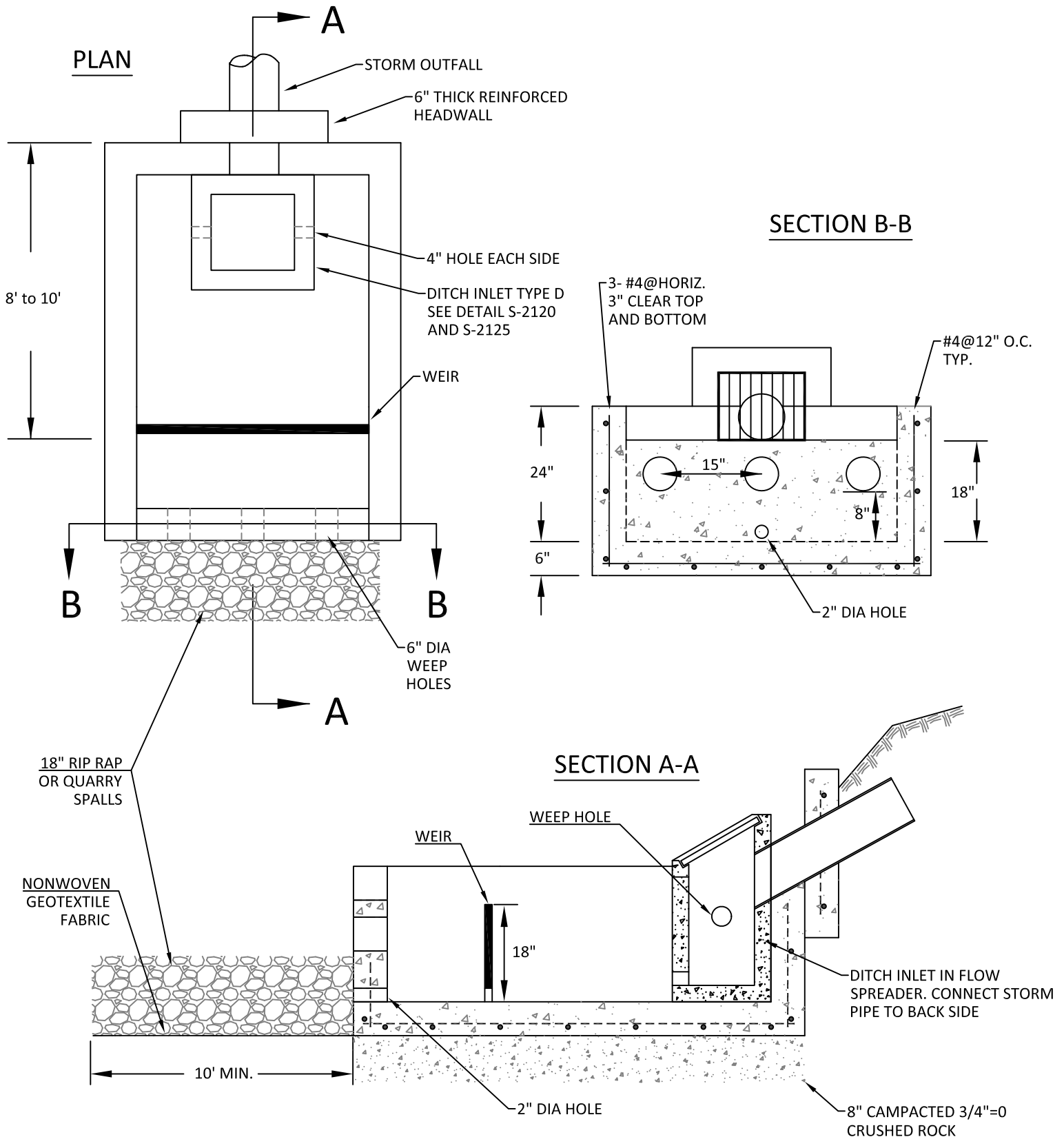


This Detail Drawing may not be altered or changed in any manner except by the City Engineer. It is the responsibility of the user to acquire the most current version.



NOTES:

1. PLACE CLASS 50 RIP RAP, OR 6" QUARRY SPALLS, MINIMUM 18" THICK, OVER NONWOVEN GEOTEXTILE FABRIC.
2. CONCRETE SHALL HAVE A MINIMUM STRENGTH OF 3000 PSI. AT 28 DAYS.

Swale Inflow Spreader

DRAWING NUMBER: S-2225

DRAWN BY: SR

SCALE: N.T.S.

FILE NAME: S-2225.DWG

APPROVED BY: NK

DATE: 10/3/18

**CITY OF
WILSONVILLE**



PUBLIC WORKS STANDARDS