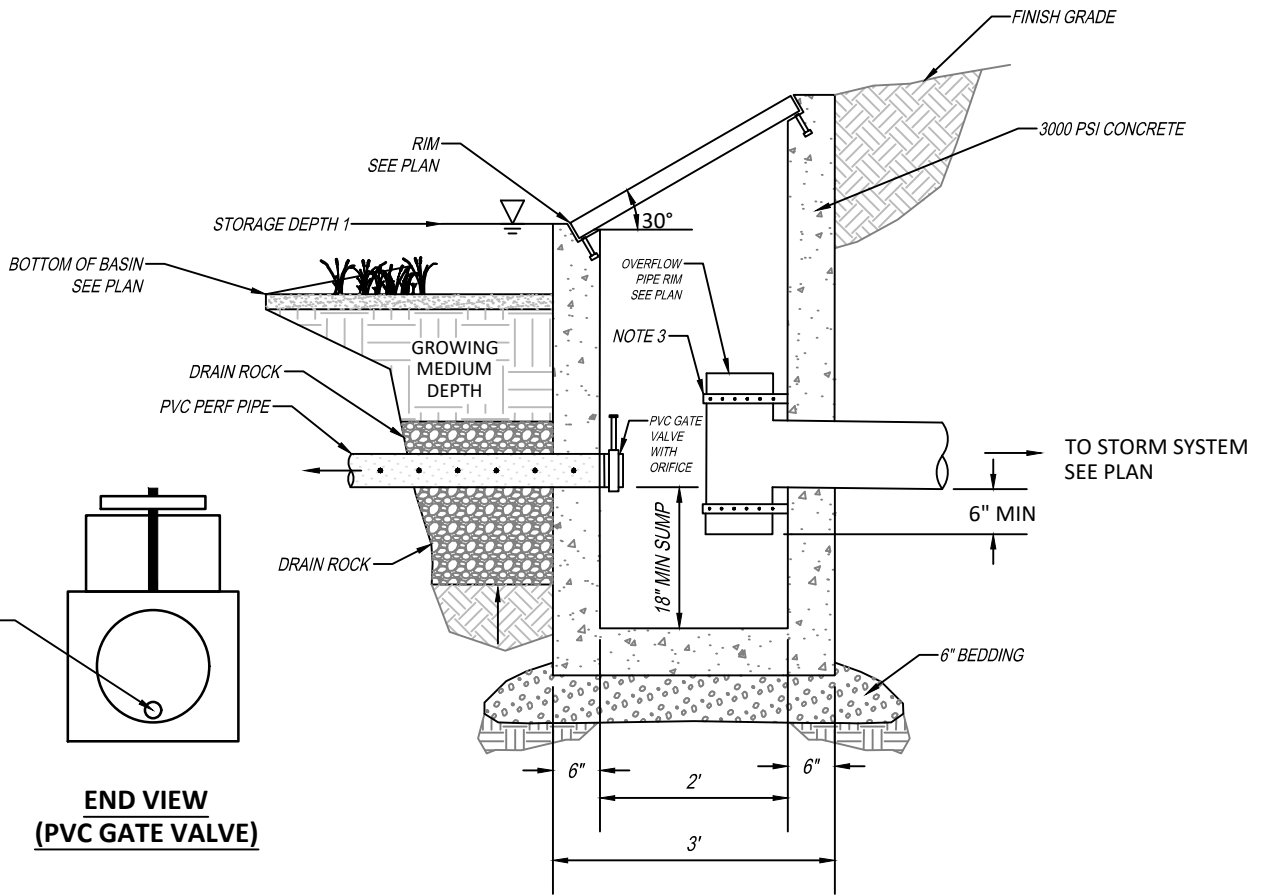
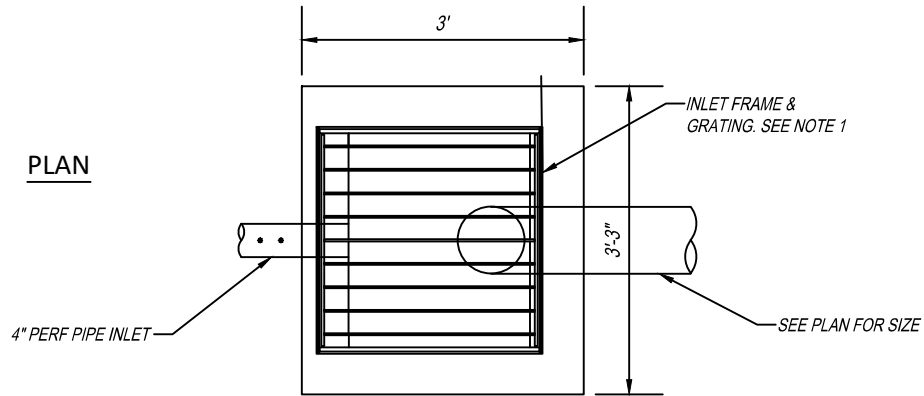
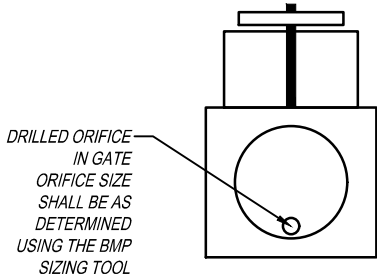


This Detail Drawing may not be altered or changed in any manner except by the City Engineer. It is the responsibility of the user to acquire the most current version.

PLAN



SECTION



**END VIEW
(PVC GATE VALVE)**

NOTES:

1. DITCH INLET SPECS SEE DETAILS S-2120 AND S-2125
2. 8" DIAMETER OUTLET PIPE WITH UPTURNED ELBOW.
3. SECURE OUTLET PIPE WITH MINIMUM 2" WIDE S/S BAND AND 1/2" STAINLESS STEEL BOLTS EMBEDDED 2" IN WALL.
4. BEDDING SHALL BE 6" OF COMPACTED 3/4"-0 CRUSHED ROCK BASE MATERIAL
5. STORAGE DEPTH SEE PLANS

Ditch Inlet Facility Overflow

DRAWING NUMBER: ST-6125

DRAWN BY: SR

SCALE: N.T.S.

FILE NAME: ST-6125.dwg

APPROVED BY: NK

DATE: 2/21/18

**CITY OF
WILSONVILLE**



PUBLIC WORKS STANDARDS