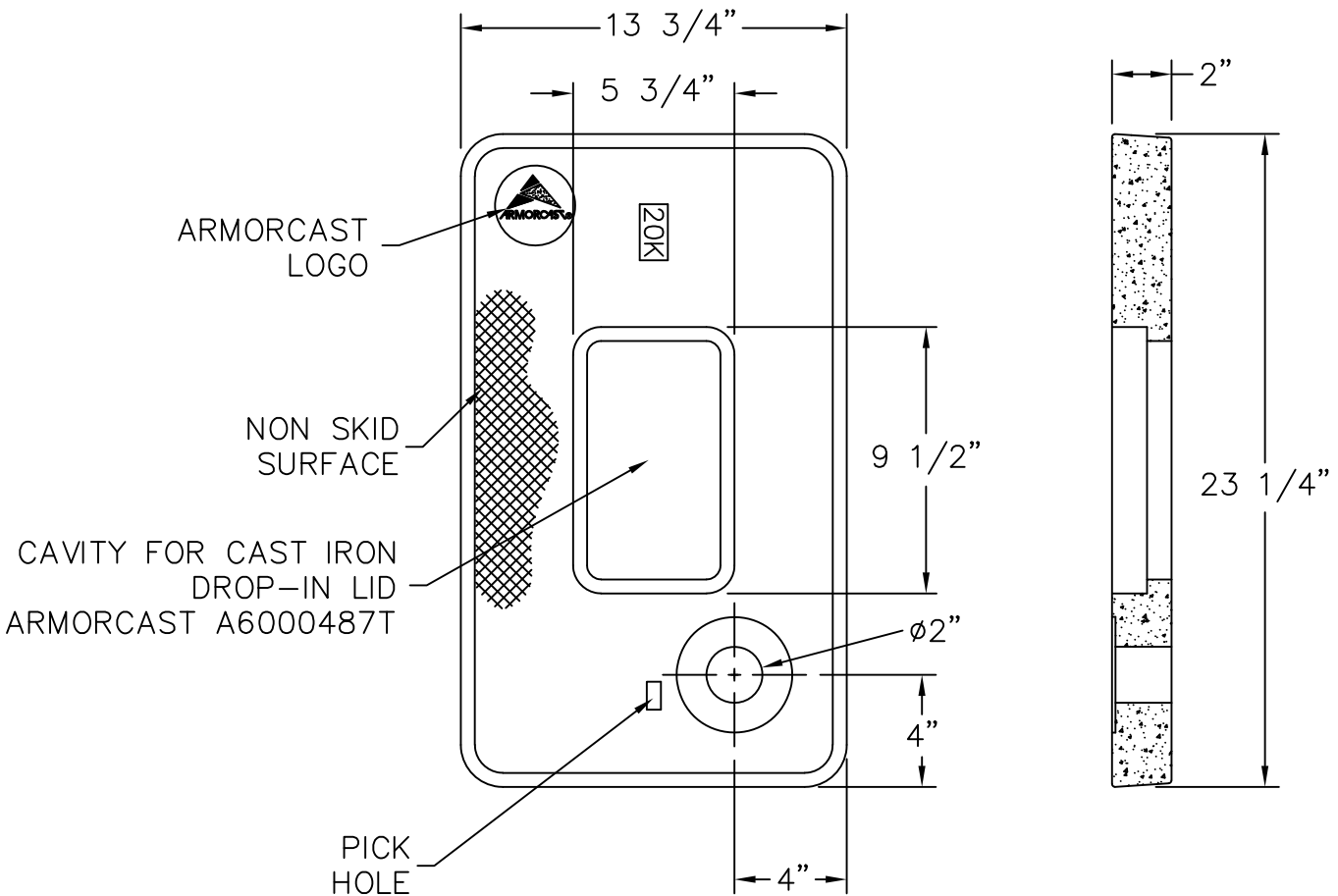
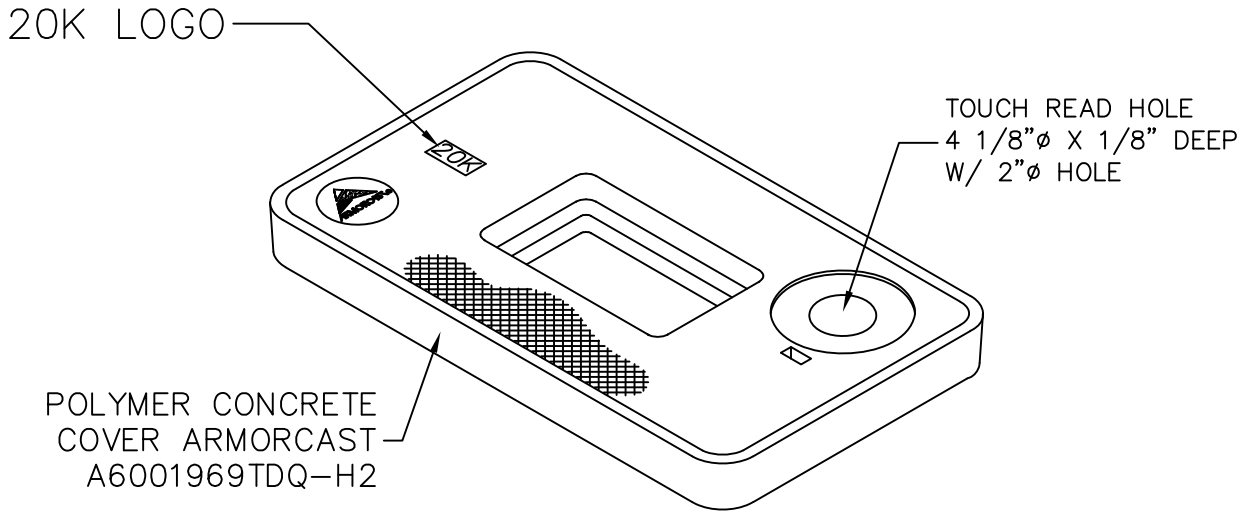


APPROX. WT. = 37 LBS.



Traffic Rated Meter Box Cover - 3/4" & 1" Meter

CITY OF
WILSONVILLE



PUBLIC WORKS STANDARDS

DRAWING NUMBER: WT-3039

DRAWN BY: SR

SCALE: N.T.S.

FILE NAME: W-3039.DWG

APPROVED BY: NK

DATE: 6/4/14