

2 SITWORKS PLAN
1" = 20'-0"

SITWORKS PLAN - GENERAL NOTES

1. NO RESTROOMS ARE PROPOSED IN THIS PROJECT.
2. NO LIGHTING IMPROVEMENTS ARE PROPOSED IN THIS PROJECT.
3. NO UTILITY IMPROVEMENTS ARE PROPOSED IN THIS PROJECT.
4. NO RIGHT-OF-WAY IMPROVEMENTS ARE PROPOSED IN THIS PROJECT.
5. NO TREES ARE PROPOSED IN THIS PROJECT.
6. NO IMPROVEMENTS ARE PROPOSED WITHIN THE ROOT ZONE OF EXISTING STREET TREES.
7. EXISTING IRRIGATION TO REMAIN IN PLACE AND BE ADJUSTED TO ACCOMMODATE SITE IMPROVEMENTS.

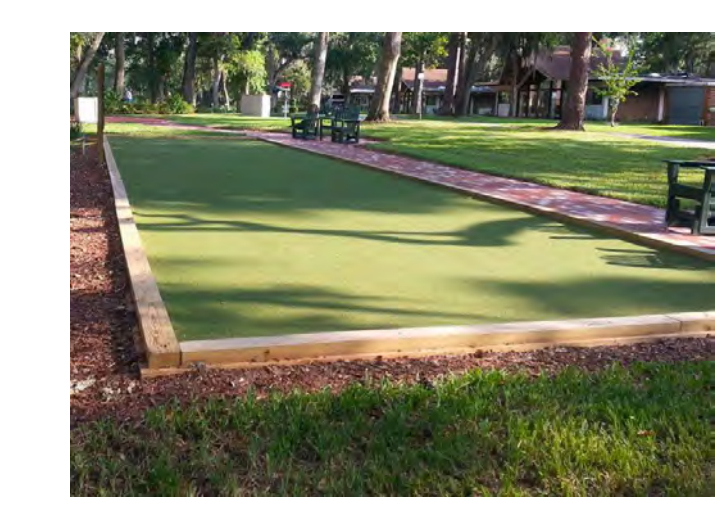
LEGEND - SITE PLAN

| SYMBOL | DESCRIPTION | NOTES |
|--------|-------------------------|---|
| | CONCRETE WALKWAY | NATURAL GREY/BROOM FINISH |
| | EXISTING LAWN | REPAIR AND RE-SEED DISTURBED EXISTING LAWN |
| | BOCCE COURT | PERVIOUS SYNTHETIC TURF SURFACE WITH WOOD CURBING |
| | EXISTING STREET TREES | PROVIDE TREE PROTECTION PER CITY OF WILSONVILLE CODE |
| | EXISTING HEDGES | 10' HEIGHT - PROTECT IN PLACE |
| | BENCHES | COLUMBIA CASCADE - GREENWAY SERIES |
| | PICNIC TABLES | COLUMBIA CASCADE - PARKWAY SERIES |
| | SHELTERS | AMERICAN LANDSCAPE STRUCTURES (ALMOND VINYL SHEATHING & CHARCOAL ROOF SHINGLES) - RECTANGULAR (SIZE PER PLAN) |
| | ACCESS POST | UNIVERSAL DESIGN ELEMENT |
| | SCOREBOARD POST | |
| | BASKETBALL BACKSTOP | ADJUSTABLE IN GROUND |
| | DOG PARK FENCING | 42" HEIGHT WOOD FENCING WITH POWDERCOATED MESH INSERT |
| | GRAVEL FILTER STRIP | |
| | EXISTING WATER EASEMENT | |

| MATERIAL AREA CALCULATIONS | |
|-----------------------------|------------------|
| EXISTING IMPERVIOUS SURFACE | 3,612 SF |
| PROPOSED IMPERVIOUS SURFACE | 4,420 SF |
| PERVIOUS SURFACE & PLANTING | 83,765 SF |
| SITE TOTAL AREA | 91,797 SF |



CONTEXT MAP



1 BOCCE COURT - TURF SURFACE
NTS



ARCHITECTURE
URBAN DESIGN + PLANNING
INTERIOR DESIGN

PORTLAND/OAKLAND
SERADESIGN.COM

PRELIMINARY
NOT FOR CONSTRUCTION

EDITH GREEN PARK
ENTER CLIENT HERE
ENTER ADDRESS HERE

REVISIONS

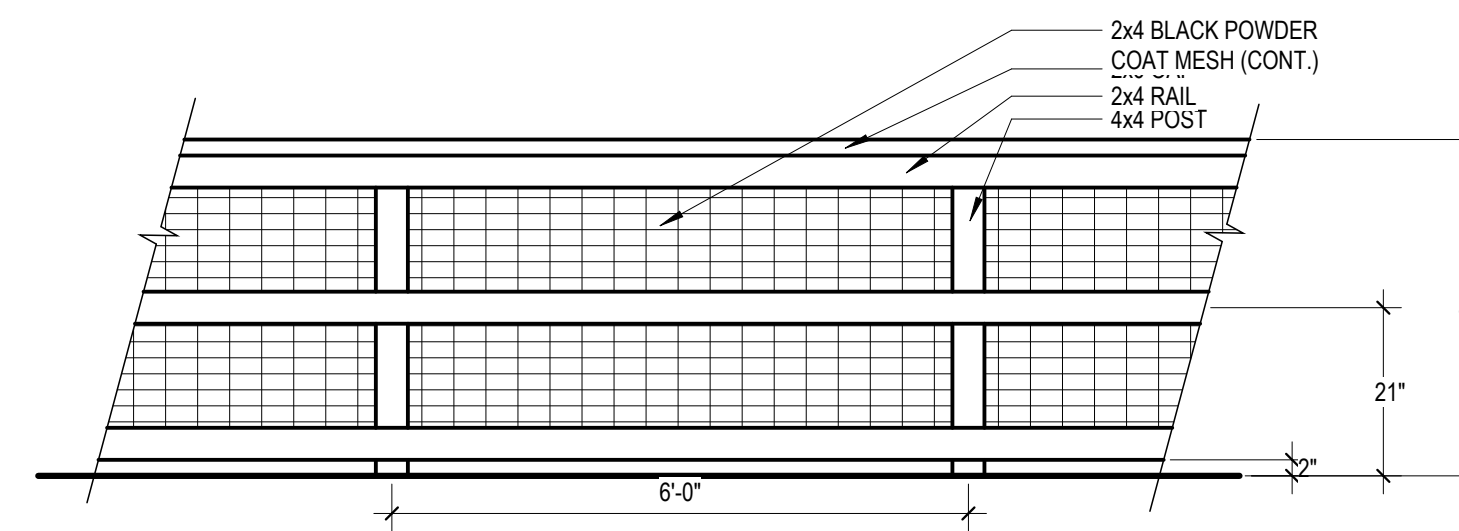
CHECKED BY: DJ
ISSUE DATE: 05/02/2023
PROJECT NO: 2101036

SITWORK PLAN
LS101

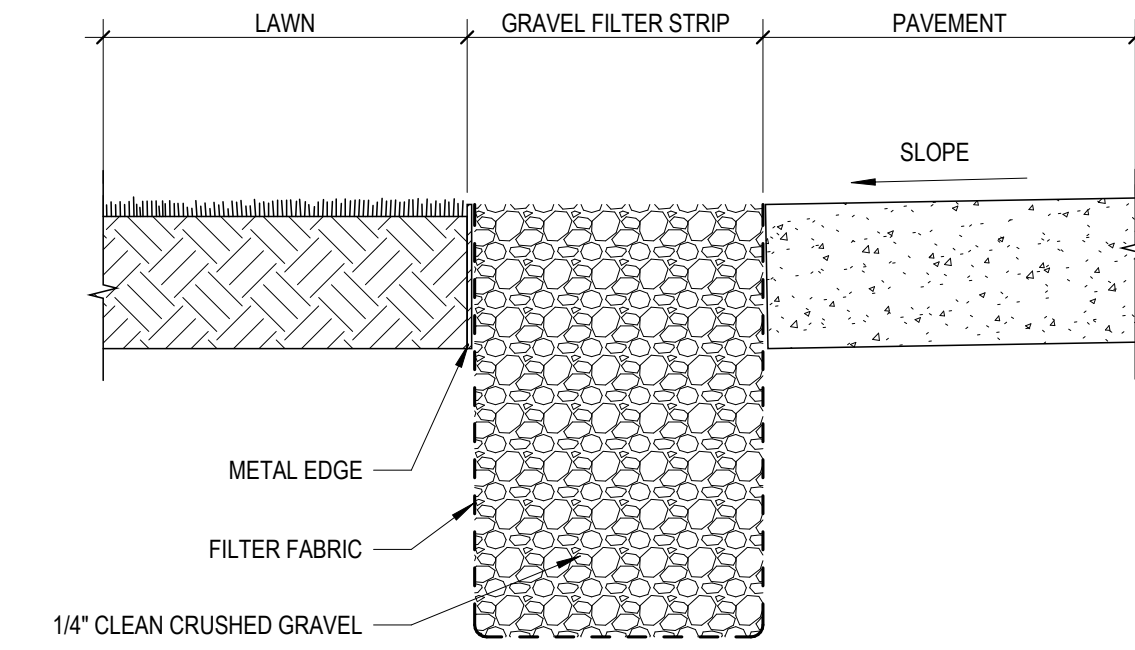
DESIGN REVIEW



9 BASKETBALL HOOP - ADJUSTABLE IN GROUND
NTS



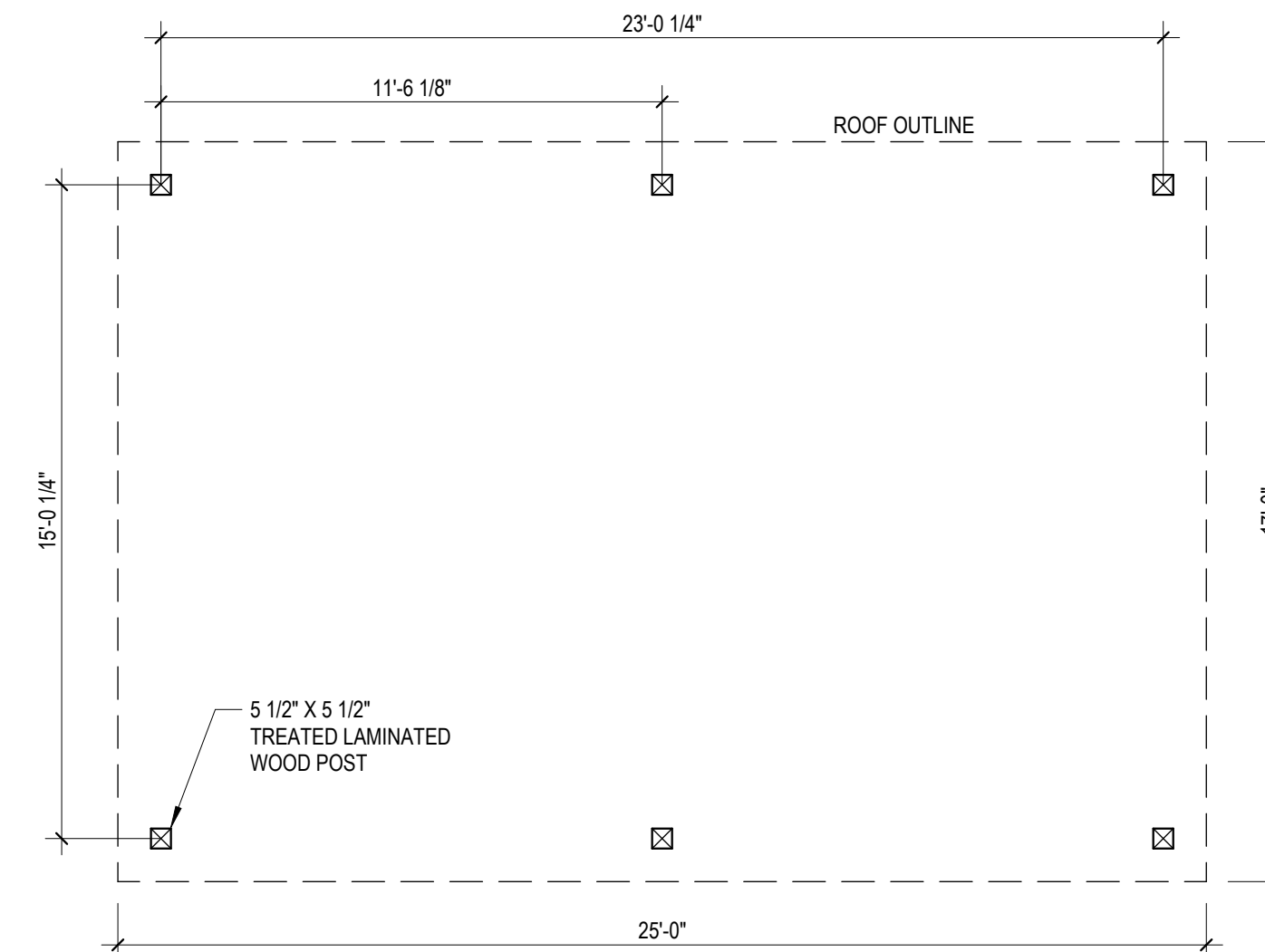
5 DOG PARK FENCE - ELEVATION
1/2" = 1'-0"



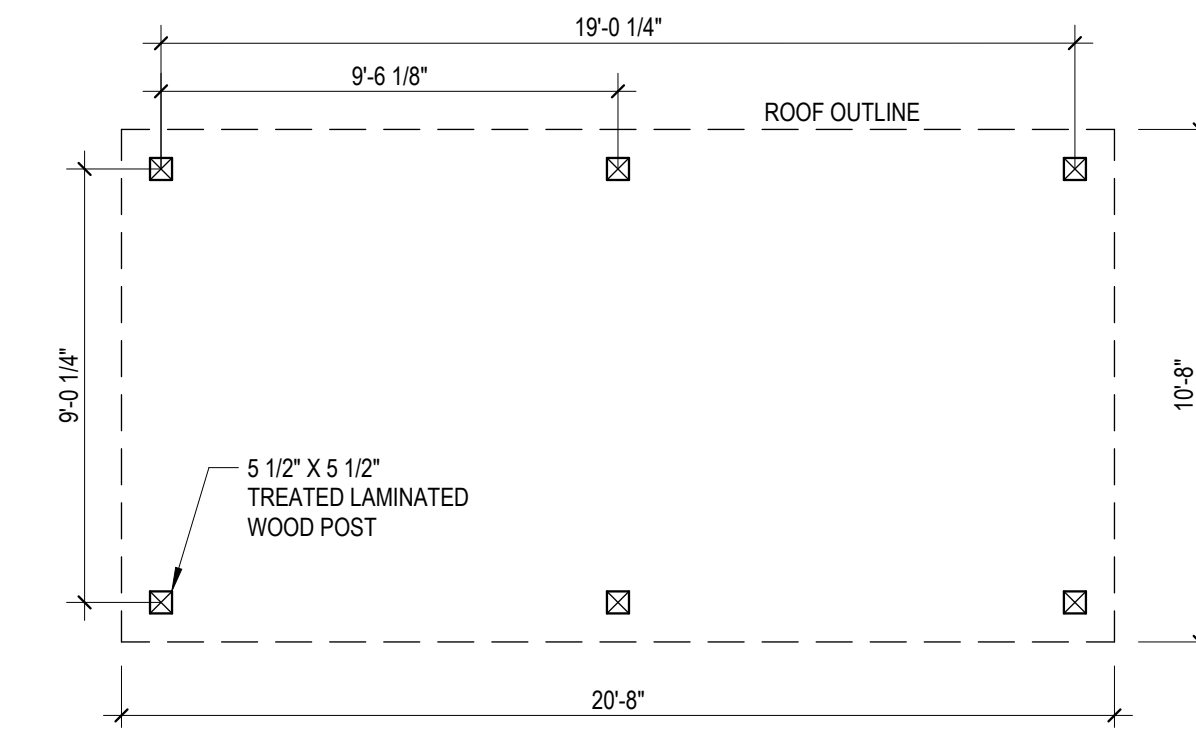
1 GRAVEL FILTER STRIP
3/4" = 1'-0"



10 BENCH - COLUMBIA CASCADE GREENWAY SERIES
NTS



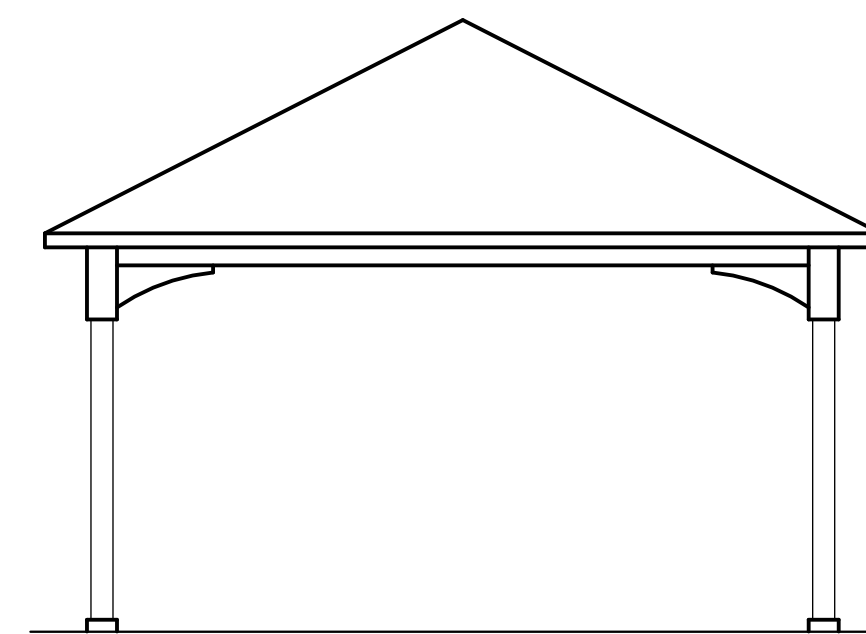
6 SHELTER B - LAYOUT PLAN
1/4" = 1'-0"



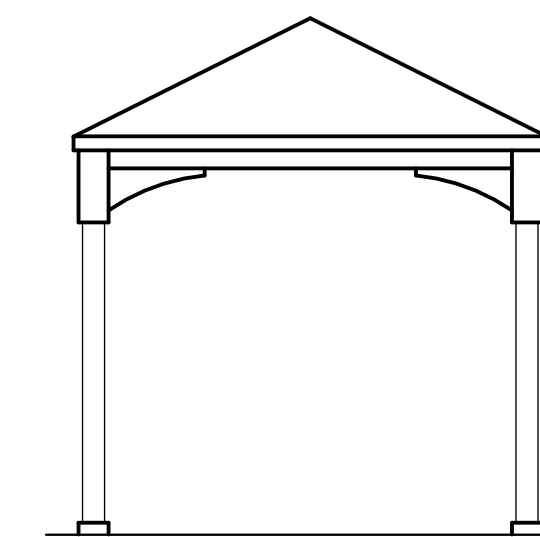
2 SHELTER A - LAYOUT PLAN
1/4" = 1'-0"



11 PICNIC TABLE - COLUMBIA CASCADE PARKWAY SERIES
NTS



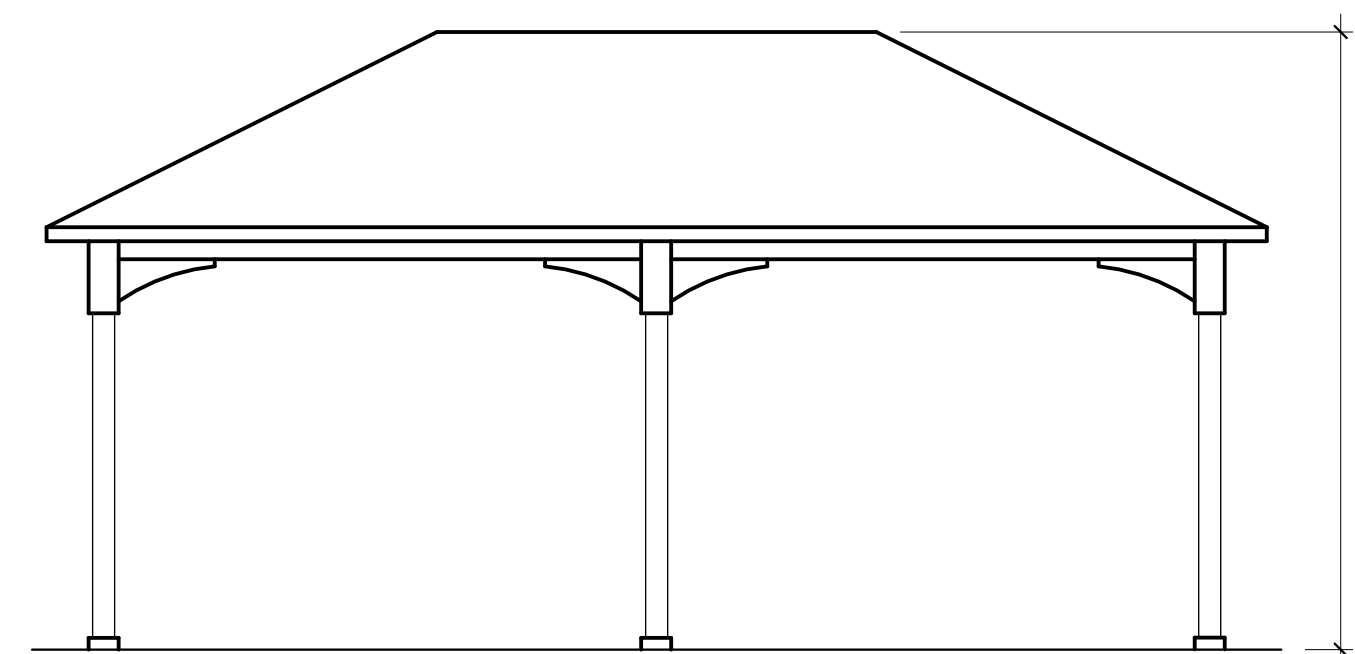
7 SHELTER B - FRONT ELEVATION
1/4" = 1'-0"



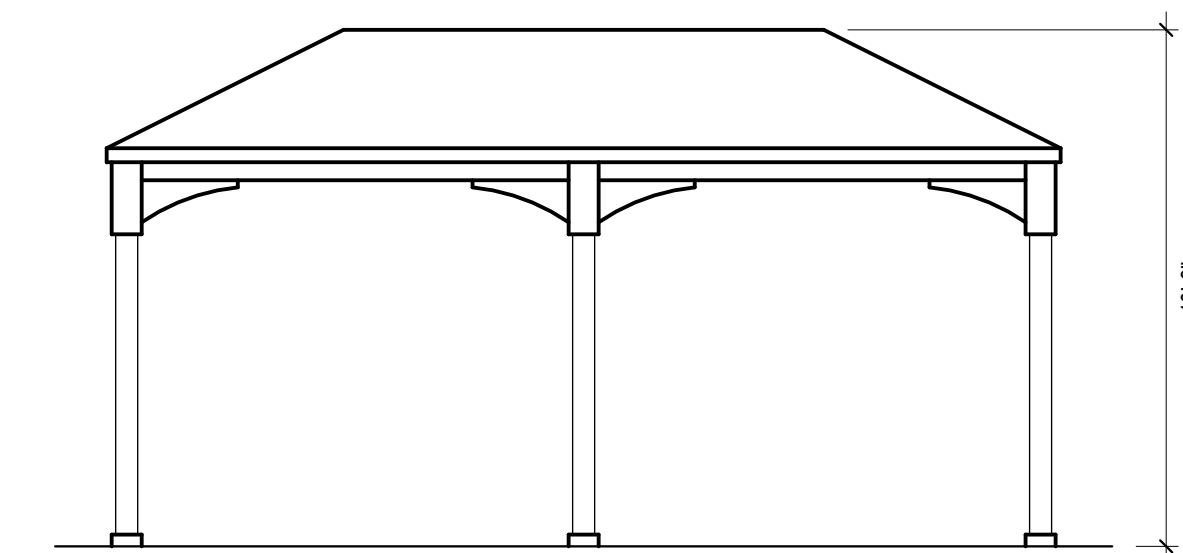
3 SHELTER A - FRONT ELEVATION
1/4" = 1'-0"



12 SHELTER - AMERICAN LANDSCAPE STRUCTURES
NTS



8 SHELTER B - SIDE ELEVATION
1/4" = 1'-0"



4 SHELTER A - SIDE ELEVATION
1/4" = 1'-0"

